

Metris

Upfit Guide



**WORK VEHICLES
THAT WORK BETTER!**

advantage
OUTFITTERS

Introduction

What's the Advantage?



We make it Easy

- Simplified layout and design process
- Technical support and configuration assistance

We make it Fast

- Everything in this catalog is in stock
- Installs within 48 hours or less

We make it Last

- Certified and trained Installers
- Lifetime Installation Warranty

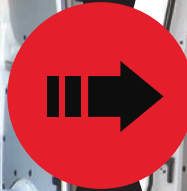
Advantage Outfitters is a commercial vehicle upfitter, specializing in storage equipment and accessories for cargo vans. With 20+ years of experience, we have earned the trust of contractors, trade fleets, utilities, municipalities, vehicle dealers, and leasing companies. We are defined by our strong team spirit and our passion for making work vehicles work better.



sales@advantageoutfitters.com

866.925.4844

advantageoutfitters.com



Contents

Interior Finishing	04 - 07
Wall Liners / Logistic Kits	04
Flooring / Interior Lighting	05
Safety & Security	06 - 07
Partitions	06
Door Security / Reverse Driving Safety	07
Shelving Packages	08 - 16
Base	10
General Service	11
HVAC	12
Plumbing	13
Electrical	14
Delivery	15
Aluminum	16

Interior Accessories	17 - 22
Side-Door Drawer Systems	17
Parts Keepers	18
Drawer Cabinets	19
Shelving Accessories	20
Cab Accessories	21
Bottle Holders	22
Roof Equipment	23 - 24
Clamp Down Ladder / Cargo Rack	23
Roof Decks / Conduit Carrier	24
Exterior Accessories	25 - 26
Windows	25
Tow Hitches / Hitch Steps	26
Vehicle Layouts	27

Wall Liners

Wall & Door Liners

- Protect your vehicle investment
- 3/16" gray plastic
- Highly durable & impact resistant

Note: Full interior liner kits and insulation kits are available. Call for details.



Model	Wall Liners Part#	Door Panels Part#
Regular WB	601M0WL	601M0DP
Extended WB	601M0EWL	601M0DP

Logistics Kits

Aluminum Lashing Rail

- Durable & versatile
- Includes 5 movable tie-down rings
- Ratchet straps also available



Model	Part#
Single Level L-Track	842M0LK

Floor Protection

Rubber Floor Mat:

- 1/4" virgin rubber resists oils and chemicals
- Saves knees and increases traction
- One piece seamless

StabiliGrip Floor:

- 3/8" hard plastic with fiberglass reinforcement
- Provides firm base for tools and equipment
- Durable, non-skid surface

Diamond Plate Aluminum:

- 1/8" aluminum for lasting durability
- Superior impact & puncture resistance

Door Sills (optional):

- Custom fit, heavy-duty diamond plate aluminum sill plates



Rubber Floor



StabiliGrip Floor



Side Door Sill (optional)



Rear Door Sill (optional)



Diamond Plate Aluminum

Model	Rubber Floor Mat Part#	StabiliGrip Floor Part#	Diamond Plate Aluminum Part#
Regular WB	654M0RM	654M0SG	698M0DP
Extended WB	654M0ERM	654M0ESG	698M0EDP

Description	Door Sill Part#
Rear & Side Sliding Doors	654M0RSS

Interior Lighting

- High intensity 2' LED light
- 800 lumens
- Ultra low power draw
- Wired with OEM switch

Description	Part#
Single 2' LED light	452XXLD2



Partitions



Partition with Perforated Window

- Galvanized steel
- Contoured design with 10" setback gives maximum seatback travel & floor space
- Mesh upper for visibility into rear



Description	Part#
Partition with Perforated Window	276M0WP

Wire Mesh Partition

- Black painted mesh
- Contoured design with 10" setback gives maximum seatback travel & floor space



Description	Part#
Wire Mesh Partition	276M0MP

MaxView Partition

- Composite construction
- Contoured design with 10" setback gives maximum seatback travel & floor space
- Clear upper for visibility into rear



Description	Part#
MaxView Partition	276M0CWP

Door Security

Slick Locks

- High security hasps use factory mounting points
- Solid steel “puck” style locks included
- Custom fit for drill-free installation



Description	Part#
Cargo Doors (set of 2)	788M0SL

Reverse/Driving Safety

Reverse Sensors

- 4 bumper mount sensors
- Digital LED display with audio alarm



Description	Part#
Reverse Sensors	580XXRVS

Back-up Alarm

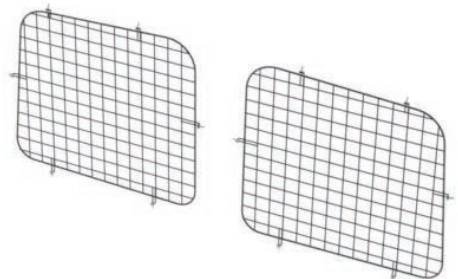
- 97 dba
- Commercial grade



Description	Part#
Back-up Alarm	594XXBU

Window Grills

- Black painted wire mesh construction



Description	Part#
Rear Doors	876M0RG

Strong...
Lightweight...
Quiet...
Customizable...

Up to 40% weight savings versus
comparable steel packages



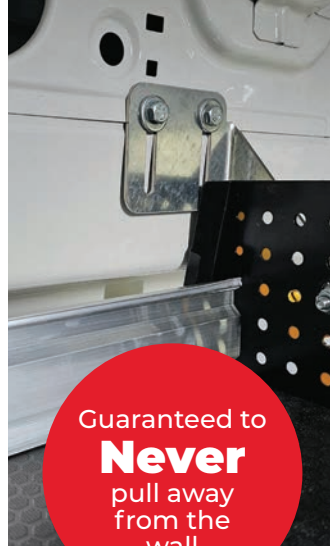
What's our Shelving Advantage?

Durable



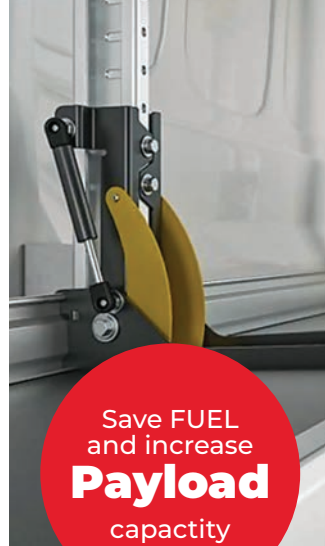
Load tested to
1200 lbs
per shelf

Secure



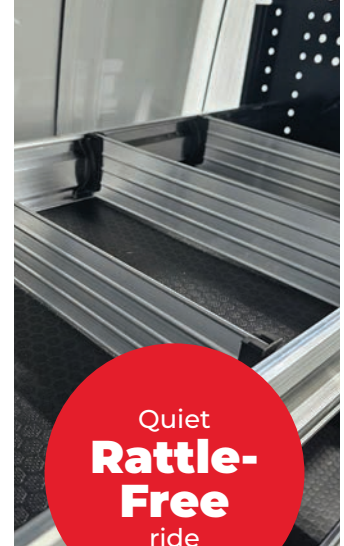
Guaranteed to
Never
pull away
from the
wall

Lightweight



Save FUEL
and increase
Payload
capacity

Quiet



Quiet
Rattle-Free
ride

Here's what our customers say about their upfitted vans

"My technicians are able to keep the vans organized, which increases our overall efficiency."

Mike S.
HVAC Service Company.



"You really helped us get the maximum benefit out of our vehicles."

Michael R.
Fire Protection Company.



Shelving Packages

Base Package

Driver's side includes:

- (1) 45"H x 72"L 3-shelf shelving unit

Passenger's side includes:

- (1) 45"H x 36"L 3-shelf shelving unit



Description	Part#
Base Package	276M0BP

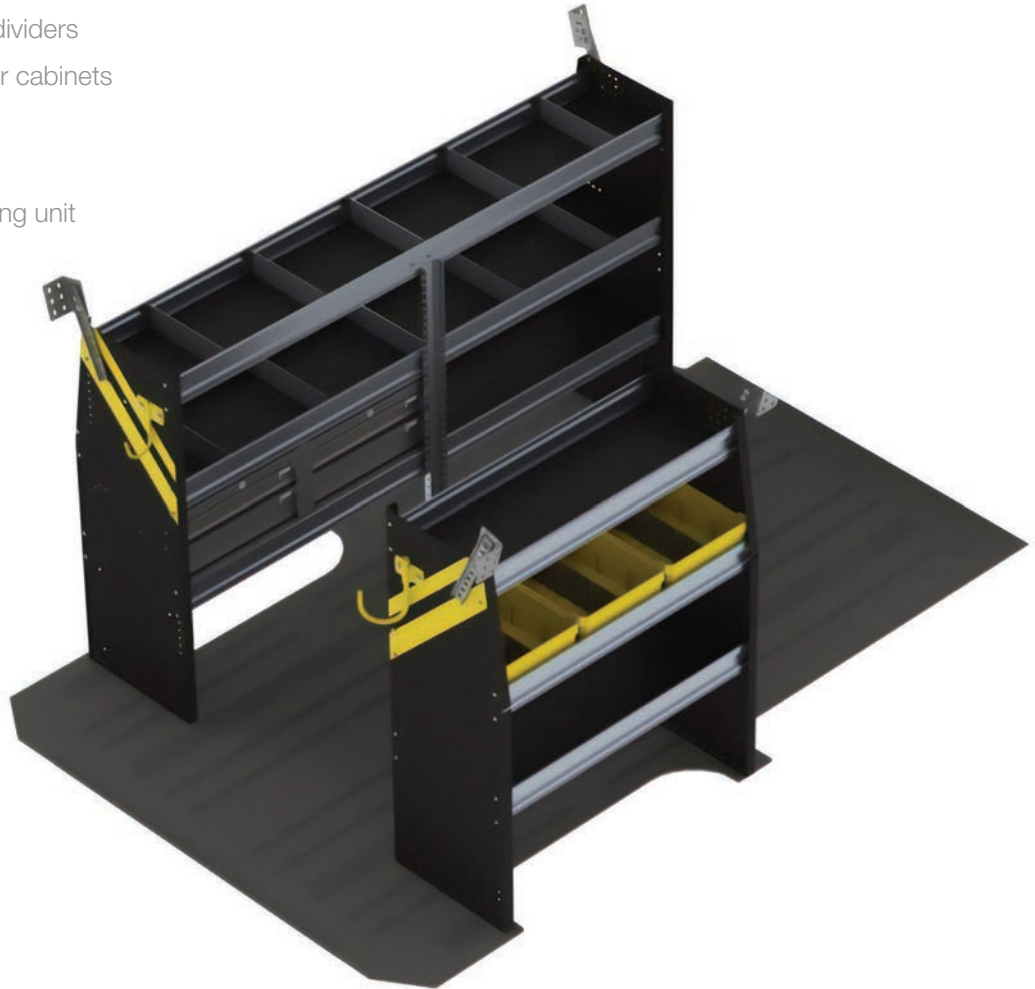
General Service Package

Driver's side includes:

- (1) 45"H x 72"L 3-shelf shelving unit
- (10) adjustable 3" rattle-free dividers
- (2) 18.5"W x 10.5"H 2-drawer cabinets
- (1) fixed hook

Passenger's side includes:

- (1) 45"H x 36"L 3-shelf shelving unit
- (3) 14"D x 12"W plastic bins
- (1) swivel hook



Description	Part#
General Service Package	276M0GSP

Shelving Packages

HVAC Package

Driver's side includes:

- (1) 45"H x 72"L 3-shelf shelving unit
- (6) 12"D x 12"W plastic bins
- (2) 18.5"W x 10.5"H 2-drawer cabinets
- (1) large gas bottle holder
- (1) fixed hook

Passenger's side includes:

- (1) 45"H x 36"L 3-shelf shelving unit
- (10) adjustable 3" rattle-free dividers
- (1) 43"H x 10.5"W 4-tier refrigerant rack for bottles
- (1) swivel hook



Description	Part#
HVAC Package	276M0HP

Plumbing Package

Driver's side includes:

- (1) 45"H x 72"L 3-shelf shelving unit
- (5) adjustable 3" rattle-free dividers
- (1) 18.5"W x 10.5"H 2-drawer cabinet
- (1) 18.5"W x 10.5"H 3-drawer cabinet
- (1) large gas bottle holder
- (1) fixed hook

Passenger's side includes:

- (1) 45"H x 36"L 3-shelf shelving unit
- (6) 14"D x 12"W plastic bins
- (3) cross dividers for bins
- (1) large gas bottle holder
- (1) swivel hook



Description	Part#
Plumbing Package	276MOPP

Shelving Packages

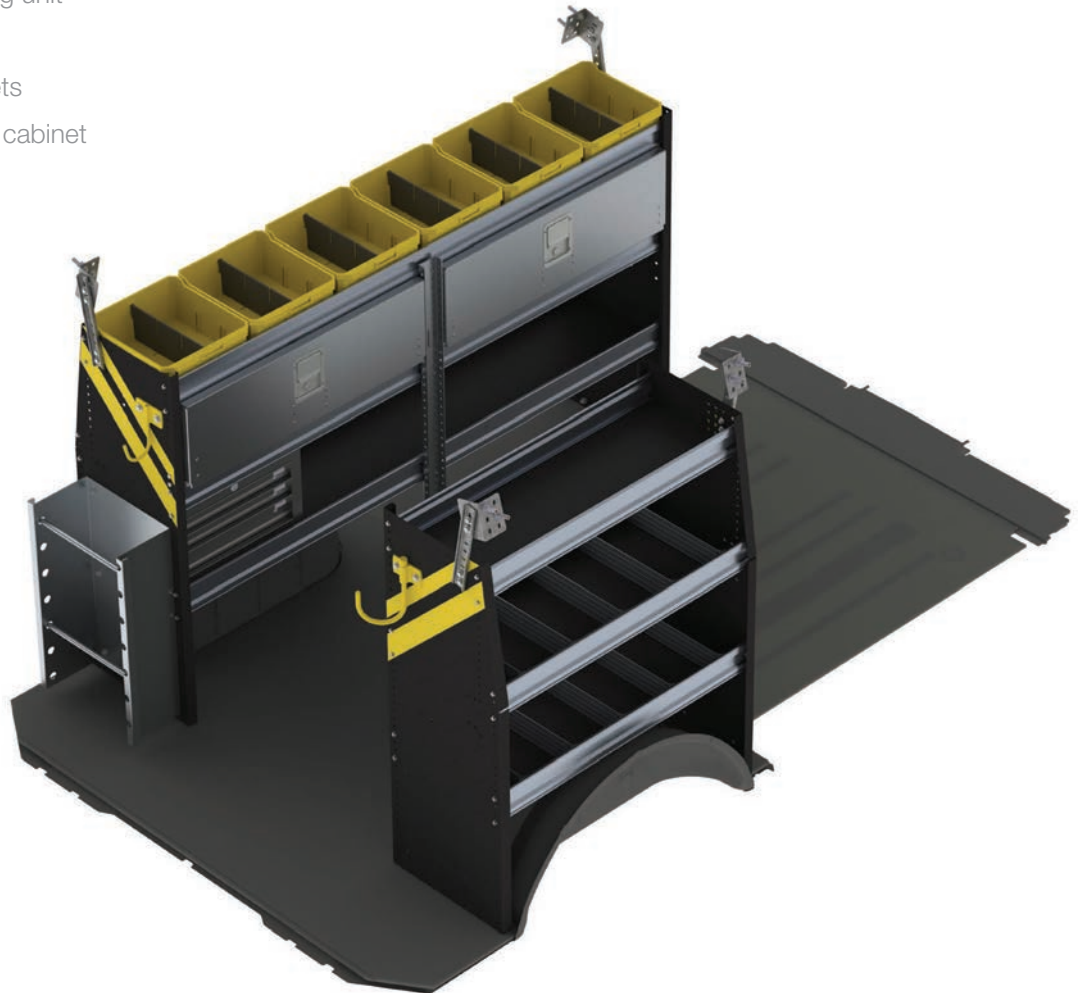
Electrical Package

Driver's side includes:

- (1) 45"H x 72"L 3-shelf shelving unit
- (6) 12"D x 12"W plastic bins
- (2) 11"H x 36"L locking cabinets
- (1) 18.5"W x 10.5"H 3-drawer cabinet
- (1) wire reel holder
- (1) fixed hook

Passenger's side includes:

- (1) 45"H x 36"L 3-shelf shelving unit
- (10) adjustable 3" rattle-free dividers
- (1) swivel hook



Description	Part#
Electrical Package	276M0EP

Delivery Package

Driver's side includes:

- (1) 45"H x 72"L 2-shelf unit with folding shelves

Passenger's side includes:

- (1) 45"H x 36"L 2-shelf unit with folding shelves



- Folding shelves keep aisle clear when not in use
- Gas shock holds shelf in either up or down position
 - no latches or rattles
- Capacity is 40 lbs per linear foot
- Shelves are 20" deep




Description	Part#
Delivery Package	176M0DP

Shelving Packages

Aluminum Shelving

Ultra-lightweight all-aluminum packages are also available!

Weight saving equipment reduces total cost of ownership:

-  Optimize fuel economy by decreasing overall van mass
-  Reduce vehicle maintenance and repairs caused by weight overload
-  Increase payload without sacrificing quality — it's a benefit offered only by aluminum



Customized Interiors

Climate Control & Ventilation • Inverters & Power Systems
Workbenches & Desks • Warning & Scene Lighting



Contact us for further information on all-aluminum shelving and customized interiors.

Save Time and Get Organized!

Access your most common items without even entering your vehicle.



Jumbo Tool Drawer

- 320 lb capacity
- Open interior for tool bags & cases
- 16"W x 48"L x 20"H



Description	Part#
Jumbo Tool Drawer	176XXJTD

Parts Drawer

- 150 lb capacity
- Dividers for parts and hand tools
- Stack 1, 2 or 3 above your jumbo tool drawer
- 12"W x 48"L x 6"H



Description	Part#
Parts Drawer	176XXPD

Top Tray

- Turn your parts drawer top into additional organization
- Add 3 crates (optional)
- 12"W x 48"L x 4"H



Description	Part#
Top Tray	176XXTT
Top Tray With Crates	176XXTWC

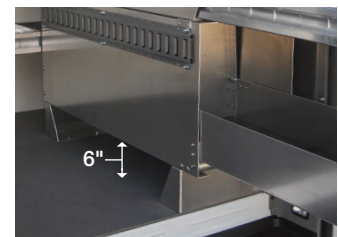
Add a Worktop to Your Drawer System

- 18"D x 48"W hardwood butcher block top



Description	Part#
Drawer System Worktop	176XXWT

Add a Raise For Long Pipe or Lumber



Description	Part#
Raises (set of 2)	176XX6R

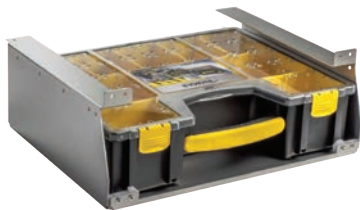
Parts Keepers

Be Efficient!

Saving just 5 minutes per day will gain you 21 hours per year!

Single Partskeeper Unit

- Includes one case
- 3 mounting styles: under shelf, inset into shelf, or stacked
- 14"D x 18"W x 5"H



Description	Part#
Single Partskeeper	176XXPC



4 Pc. Partskeeper

- 14"D x 18"W x 24"H



Description	Part#
4 Pc. Partskeeper	176XX4PC

5 Pc. Partskeeper

- 14"D x 18"W x 43"H



Description	Part#
5 Pc. Partskeeper	176XX5PC

8 Pc. Partskeeper

- 14"D x 18"W x 43"H



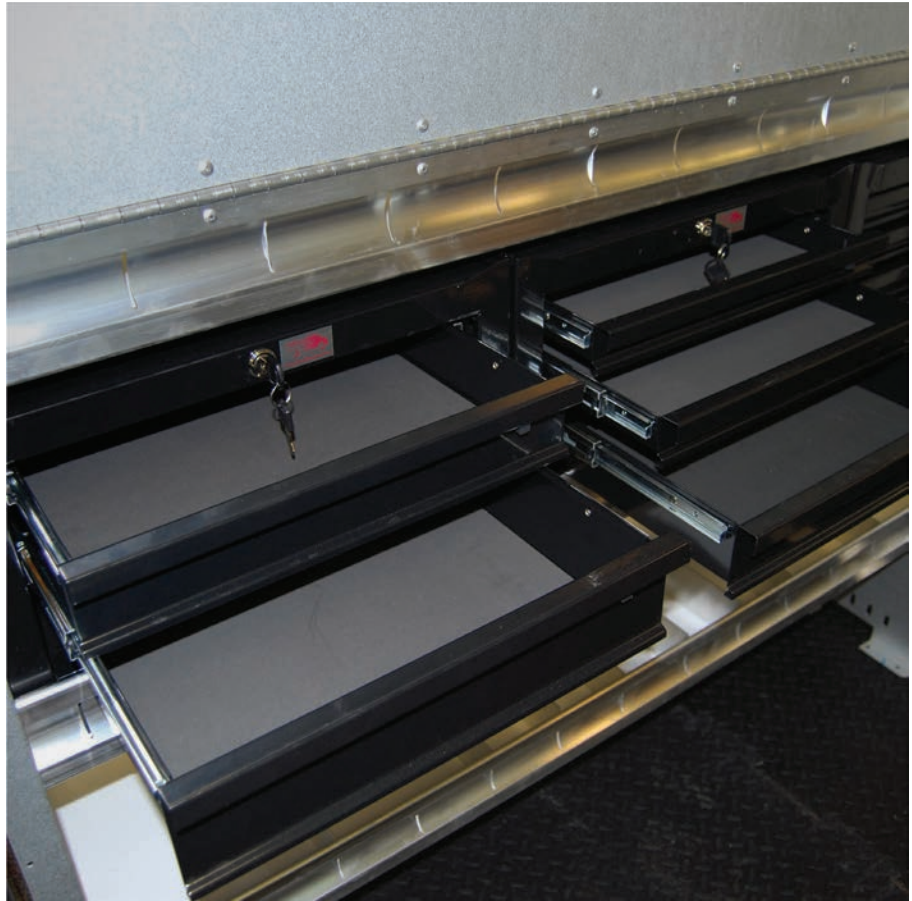
Description	Part#
8 Pc. Partskeeper	176XX8PC

2-Drawer & 3-Drawer Cabinets:

- Latching drawers with ball bearing slides
- Includes key lock for security
- Cabinets can be individually mounted to shelves or stacked on floor
- 12.5"D x 18.5"W x 10.5"H

9-Drawer Cabinet:

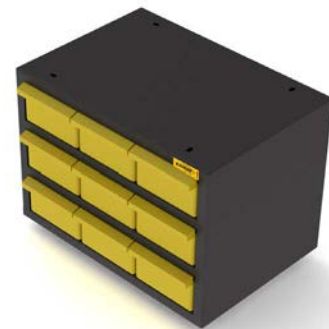
- Rattle-free plastic drawers with dividers
- Includes built-in drawer catch
- 12.5"D x 18.5"W x 10.5"H



2-Drawer Cabinet

3-Drawer Cabinet

9-Drawer Cabinet



Description	Part#
2-Drawer Cabinet	876XX2DC

Description	Part#
3-Drawer Cabinet	876XX3DC

Description	Part#
9-Drawer Cabinet	876XX9DC

Shelving Accessories

Locking Doors



Description	Part#
36" Locking Door	876XX36LD
42" Locking Door	876XX42LD
48" Locking Door	876XX48LD
60" Locking Door	876XX60LD

Dividers (pack of 5)



Description	Part#
10" Adjustable Shelf Dividers	876XX10D
12" Adjustable Shelf Dividers	876XX12D
14" Adjustable Shelf Dividers	876XX14D

Bins



Description	Part#
10"D Plastic Bin	876XX10B
12"D Plastic Bin	876XX12B
14"D Plastic Bin	876XX14B
Cross Dividers (set of 2)	876XXBD

Ladder Hook



Description	Part#
Ladder Hook	876XXLH

Swivel Hook



Description	Part#
Swivel Hook	864XXSW

Fixed Hook



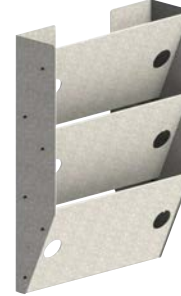
Description	Part#
Fixed Hook	864XXFH

Cab Organizer Box



Description	Part#
Cab Organizer Box with Raise	876XXMCB

3-Slot Paper Holder



Description	Part#
Steel 3-Slot Paper Holder	876XX3PH

First-Aid Kit



Description	Part#
First-Aid Kit With Holder	864XXFA

Seat Covers

- Custom-fit
- Tough Cordura fabric



Description	Part#
Seat Covers (set of 2)	876M0SC

Hard Hat Holder



Description	Part#
Hard Hat Holder	876XXHH

Triangle Kit



Description	Part#
Triangle Kit	876XXTK

Bottle Holders

Four Level Bottle Holder:

- For 30lb refrigerant tanks

Small Bottle Holder:

- For MC tanks

Large Bottle Holder:

- For B tanks and nitrogen tanks

Four Level Bottle Holder



Description	Part#
Four Level Bottle Holder	876XX4BH



Small Bottle Holder



Description	Part#
Small Bottle Holder	864XXSBH

Large Bottle Holder



Description	Part#
Large Bottle Holder	864XXLBH

Clamp Down Ladder Rack

- Includes front, middle and rear crossbars for long and short ladders
- Makes loading and unloading ladders an easy, one-person operation
- Ladders are restrained by rotating handle and padlock can be added for extra security



Model	Part#
Clamp Down Ladder Rack	376M0CR

Cargo Racks

- Rust-free aluminum construction
- Includes ladder stops & straps



Model	Part#
2 Bar Rack	395M02B
3 Bar Rack	395M03B

Roof Equipment

Roof Decks

- Heavy duty anodized aluminum construction
- Aerodynamically designed
- Includes rear roller



Description	Part#
Roof Deck	376M0RD

Conduit Carrier

- 5" square rigid one piece design
- White powder-coated aluminum with black end caps
- Inside length of 10' 1"
- Lockable
- Add to any ladder rack



Description	Part#
Conduit Carrier	774XXCT

Windows

- OEM fit
- Light smoke tint



Description	Part#
Rear LH & RH	743MORW
Driver's Side Forward	743MODSFW
Sliding Door	743MOSDW
Porthole	732XXPW

Exterior Accessories

Tow Hitches

- Class III (600 lb tongue weight, 6000 lb trailer weight)
- 4-way flat & 7-way wiring systems



Description	Part#
Hitch	706M0TH
4-Way Flat Wiring Kit	506M04TC

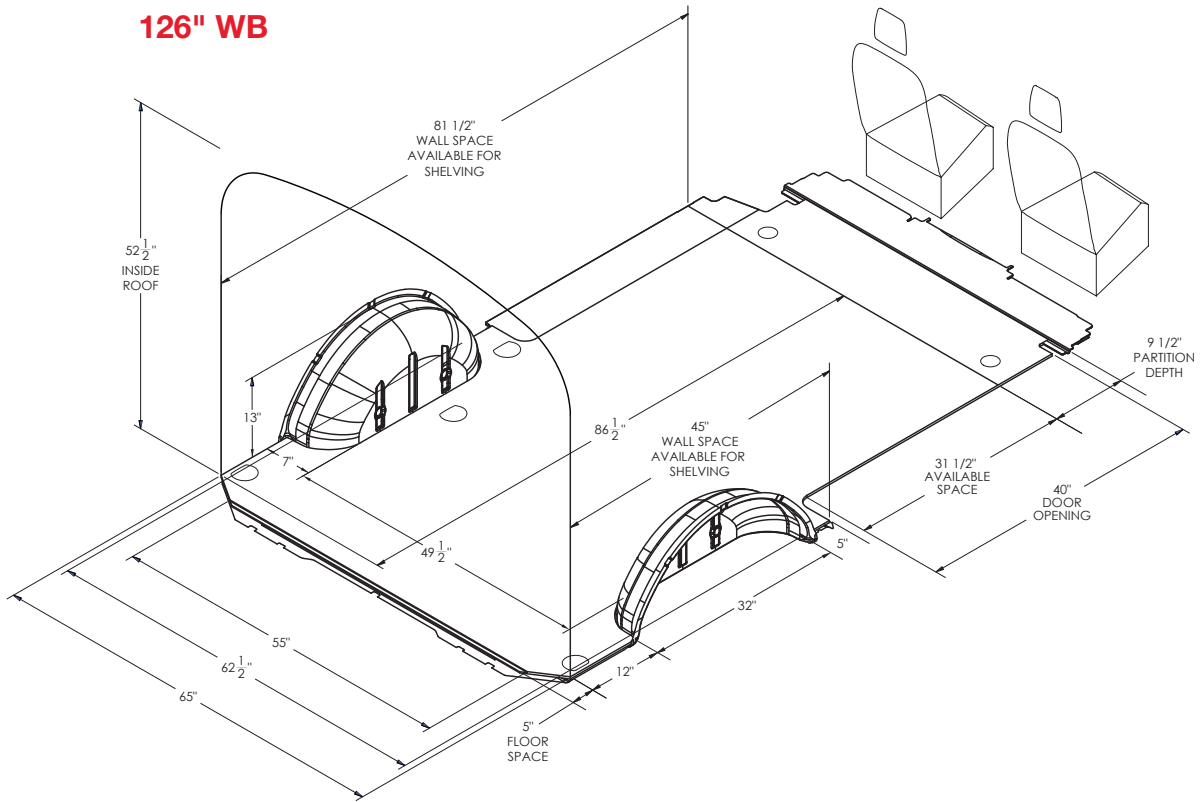
Hitch Step

- Black powder-coated steel
- Assists in rear entry

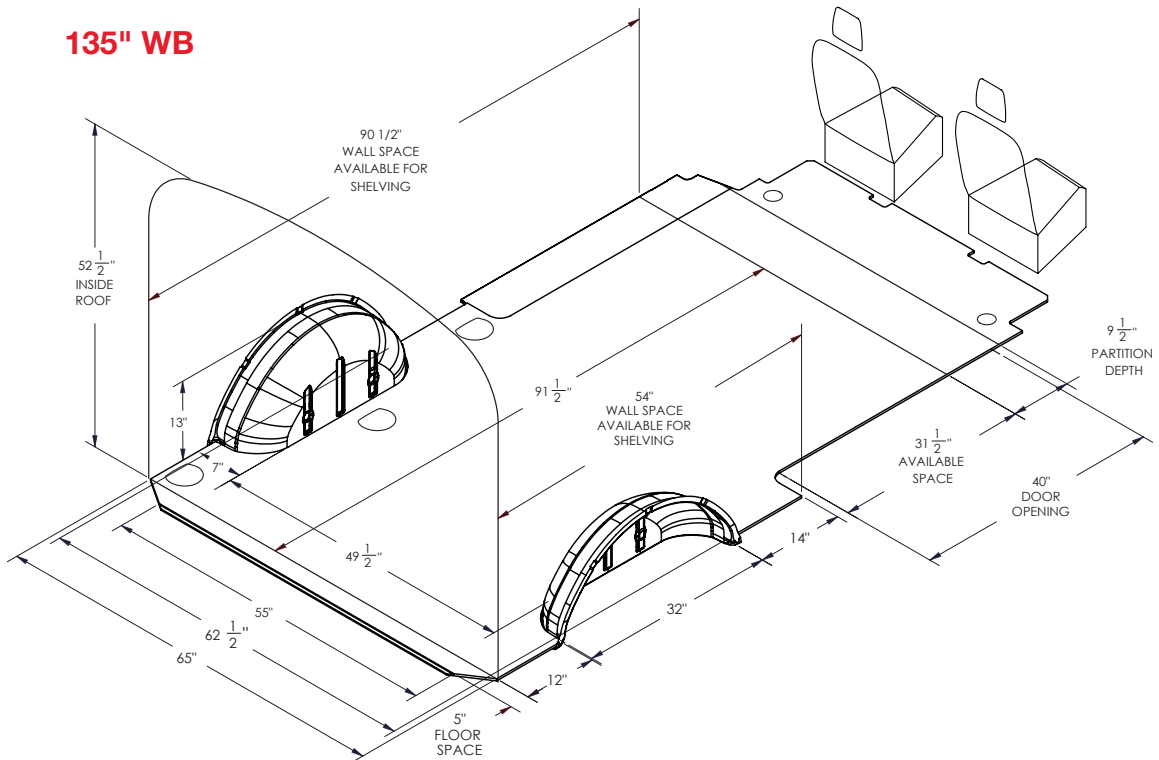


Description	Part#
Hitch Step	770XXHS

126" WB



135" WB



7500+

Vans Upfitted Per Year

Your Metris Customizing Starts Here.

Let Advantage Outfitters make your van work ready!

95% Stock Orders Completed in 48 Hours or Less



Serving the tri-state region

New York • New Jersey • Connecticut • Pennsylvania

Contact Your Transit Dealer



WEST

255 West Street
South Hackensack,
NJ 07606

EAST

107 E. Hawthorne Ave.
Valley Stream,
NY 11580

sales@advantageoutfitters.com

866.925.4844

advantageoutfitters.com