

Sprinter

Upfit Guide



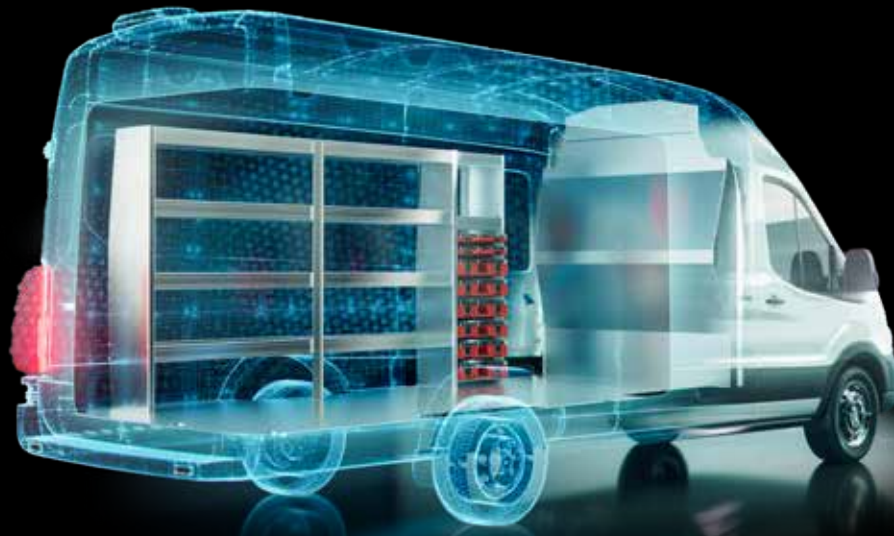
NOW FEATURING

Packd Products

**WORK VEHICLES
THAT WORK BETTER!**

advantage
OUTFITTERS

What's the Advantage?



We make it Easy

- Simplified layout and design process
- Technical support and configuration assistance

We make it Fast

- Everything in this catalog is in stock
- Installs within 48 hours or less

We make it Last

- Certified and trained Installers
- Lifetime Installation Warranty

Advantage Outfitters is a commercial vehicle upfitter, specializing in storage equipment and accessories for cargo vans. With 20+ years of experience, we have earned the trust of contractors, trade fleets, utilities, municipalities, vehicle dealers, and leasing companies. We are defined by our strong team spirit and our passion for making work vehicles work better.



A simple 6 step process to an efficient work van

01. Start with **Interior Finishing**
02. Add a **Safety Partition**
03. Choose your **Shelving Package**
04. Add time-saving **Interior Accessories**
05. Select your **Roof Equipment**
06. Finish with **Exterior Accessories**

Contents

Interior Finishing	04 - 07
Wall Liners	04
Flooring	05
Lashing / Seat Covers / Window Grills	06
Interior Lighting	07
Safety Partitions	08 - 09
Straight Partitions	08
Contoured Partitions	09
Shelving Packages	12 - 17
Base	12
General Service	13
HVAC	14
Plumbing	15
Electrical	16
Delivery	17

Interior Accessories	19-25
Side-Door Drawer Systems	19
Parts Keepers	20-21
Drawer Cabinets	22
Shelving Accessories	23
Cab Accessories	24
Bottle Holders	25
Roof Equipment	26 - 29
Side Dropdown	26
Rear Dropdown	27
Roof Decks and Cargo Racks	28
Ladder Rack Accessories	29
Exterior Accessories	30 - 31
Running Boards / Rear Steps	30
Hitches / Windows	31
Specialty Equipment	32-35
Climate Control	32
Inverters	33
Liftgates	34
Vehicle Layouts	35

Certified
Mercedes-Benz



sales@advantageoutfitters.com

866.925.4844

advantageoutfitters.com

VanLiner Wall and Door Protection

- Protect your vehicle investment
- 3/16" light grey plastic with textured finish
- Highly durable & impact resistant



Model	Wall Panels Part#	Door Panels Part#	Model	Wall Panels Part#	Door Panels Part#
144 LR	601M1WL	601MXDPL	170 HR	601M4WL	601MXDPH
144 HR	601M2WL	601MXDPH	170 Ext HR	601M6WL	601MXDPH

Duratherm Insulated Kits

- 3/8" Heavy duty rigid grey plastic wall protection with 1/8" foil/foam insulation layer
- Provides sound deadening and an R4 equivalent thermal barrier
- Textured surface is scratch and impact resistant



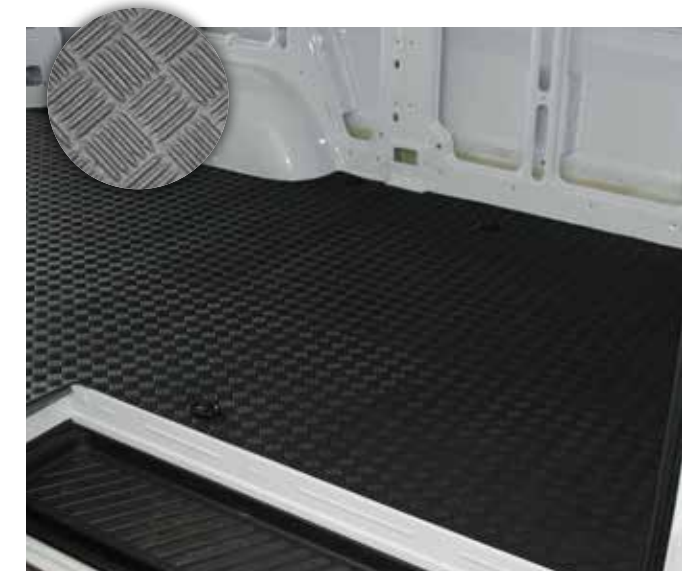
Model	Wall Liners Part#	Door Liners Part#	Ceiling Liners Part#
144 LR	654M1WL	654M1DL	654M1CL
144 HR	654M2WL	654M2DL	654M2CL
170 HR	654M4WL	654M2DL	654M4CL
170 Ext HR	654M6WL	654M2DL	654M6CL

* Door panels suitable for 2019 models onwards

Floor Protection

Rubber Mat

- 1/4" virgin rubber resists oils and chemicals
- Saves knees and increases traction
- One piece seamless



Model Wheelbase	Single Rear Wheel Model Rubber Mat Part #	Dual Rear Wheel Model Rubber Mat Part #
144" WB	654M1AM	654M1AMD
170" WB	654M4AM	654M4AMD
170" WB Ext	654M6AM	654M6AMD

Door Sills

- Custom fit, heavy-duty diamond plate aluminum sill plates
- Protects entry points and provides traction

Description	Door Sill Part#
Set of 2 for Sliding Door and Rear Doors	654MXRSS

StabiliGrip Floor

- 1/2" hard plastic with fiberglass reinforcement
- Provides firm base for tools and equipment
- Durable, non-skid surface

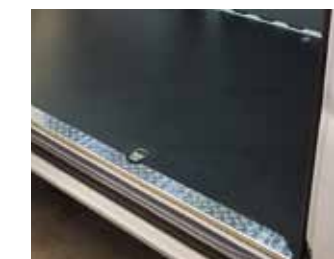


Model Wheelbase	Single Rear Wheel Model StabiliGrip Floor Part #	Dual Rear Wheel Model StabiliGrip Floor Part #
144" WB	654M1SG	654M1SGD
170" WB	654M4SG	654M4SGD
170" WB Ext	654M6SG	654M6SGD

Wheel Well Covers

- Decreases road noise and provides a thermal barrier.
- **Please Note:** These wheel covers do NOT fit Sprinters with Dual Rear wheels or Super Single rear wheels.

Description	Part#
Wheel Well Covers, set of 2	854MXWCC



Side Door Sill



Rear Door Sill

Aluminum Lashing Rail

- Durable & versatile
- Single level kits come with 5 movable tie-down rings
- Double level kits come with 10 movable tie-down rings
- Ratchet straps also available



Model	Single Level Part#	Double Level Part#
144" WB LR	842M1LK	-
144" WB HR	842M1LK	842M2LK2
170" WB HR	842M4LK	842M4LK2
170" WB Ext HR	842M6LK	842M6LK2
8' Ratchet Strap	842XX8RB	842XX8RB
6' Cam Buckle Strap	842XX6CB	842XX6CB

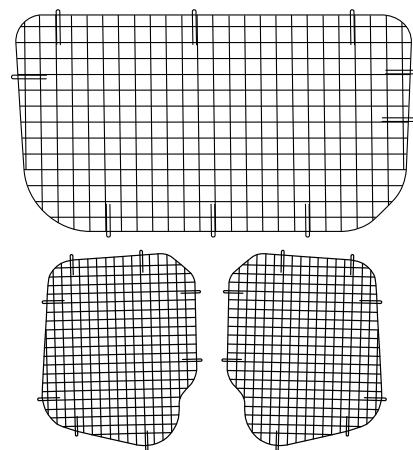
Seat Covers

- Custom-fit
- Tough Cordura fabric
- Will not fit seats with thigh bolster



Window Grills

- Black painted wire mesh construction



Description	Part#
Seat Covers (set of 2)	876MXSC

Description	Part#
Side Sliding Door	876MXSG
Rear Doors (set of 2)	876MXRG

Strip Lighting

- High intensity 2' LED light
- Mounts to side of ceiling ribs to maintain headroom
- Light is not compatible with ceiling liners
- Wired with OEM (door) switch
- 2 recommended for 144" WB vans
- 3 recommended for 170" and 170" EXT WB vans



Description	Part#
Single 2' LED light	452XXLD2

Motion Sensor Lighting



Shown with optional bracket.



- Motion sensor activated
- Recommended for install with Duratherm ceilings
- 2 recommended for 144" WB vans
- 3 recommended for 170" and 170" EXT WB vans

Description	Part#
1 LED light kit	454XXLK1
2 LED lights kit	454XXLK2
3 LED lights kit	454XXLK3
Bracket and hardware kit	454XXBH*

* Required for vans without ceiling

Our 6 Step Process

Start with Interior Finishing 01

Add Safety and Security 02

Choose your Shelving Package 03

Add time-saving Interior Accessories 04

Select your Roof Equipment 05

Finish with Exterior Accessories 06

INTERIOR FINISHING

INTERIOR FINISHING

Partitions Without Door

Steel Partition

- Heavy gauge white powder-coated steel
- Includes hatch in bottom of center panel for long material
- Mesh upper on center & passenger side panels for increased visibility
- 4" setback for seat travel



Steel Partition Without Door

Aluminum Partition

- Lightweight & durable aluminum
- Rattle-free design
- Mesh upper on center panel
- 4" setback for seat travel

Aluminum Partition Without Door

Available with or without center panel.

Description	Low Roof Part#	High Roof Part#
Steel Partition Without Door	287MXSP	287MXSP
Aluminum Partition Without Door	P40-MSL	P40-MSH

Partitions With Door

Steel Partition with Door

- Heavy gauge white powder-coated steel
- Includes hatch in bottom of center panel for long material
- Mesh upper on center & passenger side panels for increased visibility
- 4" setback for seat travel
- Includes hinged locking door for access to cargo area



Steel Partition With Door

Aluminum Partition with Door

- Lightweight & durable aluminum
- Rattle-free design
- Mesh upper on center panel
- 4" setback for seat travel
- Includes hinged latching door for access to cargo area

Aluminum Partition With Door

Description	Low Roof Part#	High Roof Part#
Steel Partition With Door	287MXHDP	287MXHDP
Aluminum Partition With Door	P50-MSL	P50-MSH

Composite Partitions

- One-piece design
- Innovative design maximizes both driver comfort and storage space
- Perfect fit provides improved climate control and noise reduction
- Available with or without polycarbonate window (for the straight composite option)



Contoured Composite

Composite with Window

Description	Low Roof Part#	High Roof Part#
Contoured Composite	-	P60-MS
Straight Composite	-	187M2CP
Straight Composite With Window	-	187M2CPW

Contoured Aluminum Partitions

- Lightweight & durable aluminum
- Rattle-free design
- Maximize seatback travel while increasing cargo floor area
- Available with or without window for visibility



Contoured Solid Partition

Contoured Partition with Window

Description	Low Roof Part#	High Roof Part#
Solid Aluminum Contoured Partition	P10-MSL	P10-MSH
Aluminum Partition with Window	P11-MSL	P11-MSH

Crew Van Partitions

- Lightweight aluminum
- Mounts directly behind factory second row bench seat, for maximum cargo space
- Access from the sliding door to the cargo area



Solid Partition

Partition with Rear Access

Description	High Roof Part#
Solid Partition	P20-MSH-1
Partition with Rear Access	P20-MSH-2

Increase your productivity with our Trade-Specific Packages



What's the Packd Advantage?

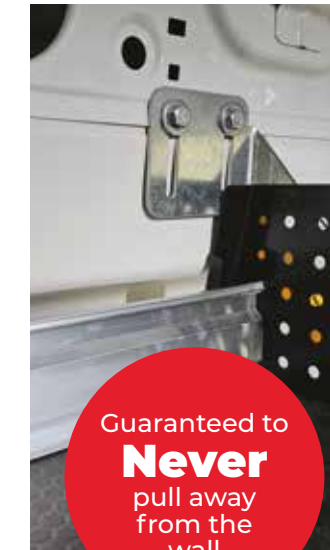


Durable



Load tested to **1200 lbs** per shelf

Secure



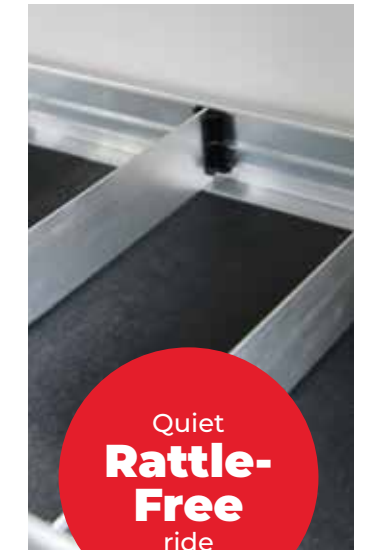
Guaranteed to **Never** pull away from the wall

Lightweight



Save **FUEL** and increase **Payload** capacity

Quiet



Quiet **Rattle-Free** ride

Here's what our customers say about their upfitted vans

"My technicians are able to keep the vans organized, which increases our overall efficiency."

Mike S.
HVAC Service Company.



"You really helped us get the maximum benefit out of our vehicles."

Michael R.
Fire Protection Company.



Our 6 Step Process

- | | | |
|---|-------------------------------|-------------------------------------|
| Start with Interior Finishing 01 | Add Safety and Security 02 | Choose your Shelving Package 03 |
| Add time-saving Interior Accessories 04 | Select your Roof Equipment 05 | Finish with Exterior Accessories 06 |

Base Package 144" WB

Driver's side includes:

- (1) Aluminum 62"H x 96"L 4-shelf shelving unit

Passenger's side includes:

- (1) Aluminum 62"H x 48"L 4-shelf shelving unit



Packd

Partitions And Flooring Are Not Included In Shelving Packages

Description	Part#
Base Package, 144" WB	175M1BPX

General Service Package 144" WB

Driver's side includes:

- (1) Aluminum 62"H x 96"L 4-shelf shelving unit
- (2) 18.5"W x 10.5"H 2 drawer cabinets
- (10) Aluminum rattle-free dividers
- (1) Fixed Hook

Passenger's side includes:

- (1) Aluminum 62"H x 48"L 4-shelf shelving unit
- (4) 12"D plastic bins with center divider & cross divider
- (1) 8" swivel hook (4" opening)



Packd

Partitions And Flooring Are Not Included In Shelving Packages

Description	Part#
General Service Package, 144" WB	175M1GSPX

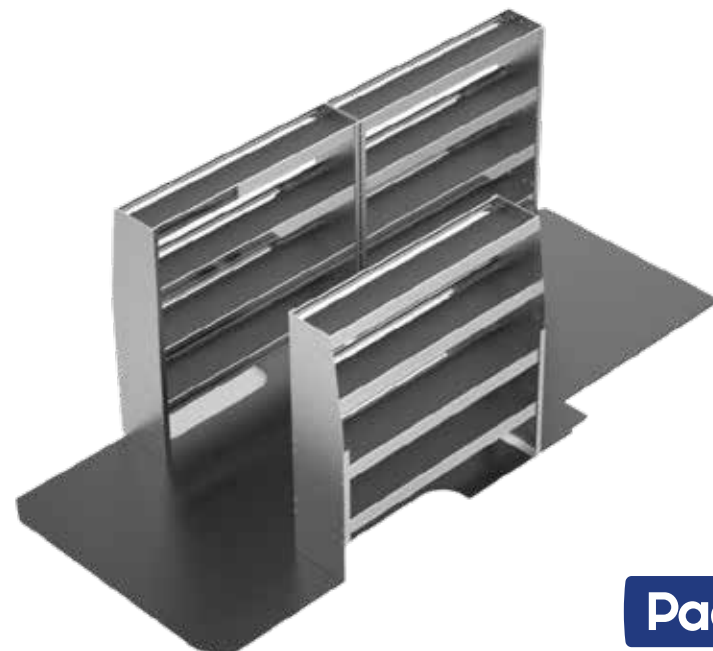
Base Package 170" WB

Driver's side includes:

- (2) Aluminum 62"H x 60"L 4-shelf shelving units

Passenger's side includes:

- (1) Aluminum 62"H x 60"L 4-shelf shelving unit



Packd

Partitions And Flooring Are Not Included In Shelving Packages

Description	Part#
Base Package, 170" WB	175M4BPX

General Service Package 170" WB

Driver's side includes:

- (2) Aluminum 62"H x 96"L 4-shelf shelving units
- (2) 18.5"W x 10.5"H 2 drawer cabinets
- (10) Aluminum rattle-free dividers
- (1) Fixed Hook

Passenger's side includes:

- (1) Aluminum 62"H x 60"L 4-shelf shelving unit
- (5) 12"D plastic bins with center divider & cross divider
- (1) 8" swivel hook (4" opening)



Packd

Partitions And Flooring Are Not Included In Shelving Packages

Description	Part#
General Service Package, 170" WB	175M4GSPX

HVAC Package 144" WB



Packd

Driver's side includes:

- (1) Aluminum 62"H x 96"L 4-shelf shelving unit
- (8) 12"D plastic bins with center divider & cross divider
- (1) Large bottle holder
- (1) Fixed Hook

Passenger's side includes:

- (1) Aluminum 62"H x 48"L 4-shelf shelving unit
- (1) 3 level refrigerant rack
- (10) Aluminum rattle-free dividers
- (1) 8" swivel hook (4" opening)

Partitions And Flooring Are Not Included In Shelving Packages

Description	Part#
HVAC Package, 144" WB	175M1HPX

Plumbing Package 144" WB



Packd

Driver's side includes:

- (1) Aluminum 62"H x 84"L 4-shelf shelving unit
- (10) Aluminum rattle-free dividers
- (1) Large bottle holder
- (1) Fixed Hook

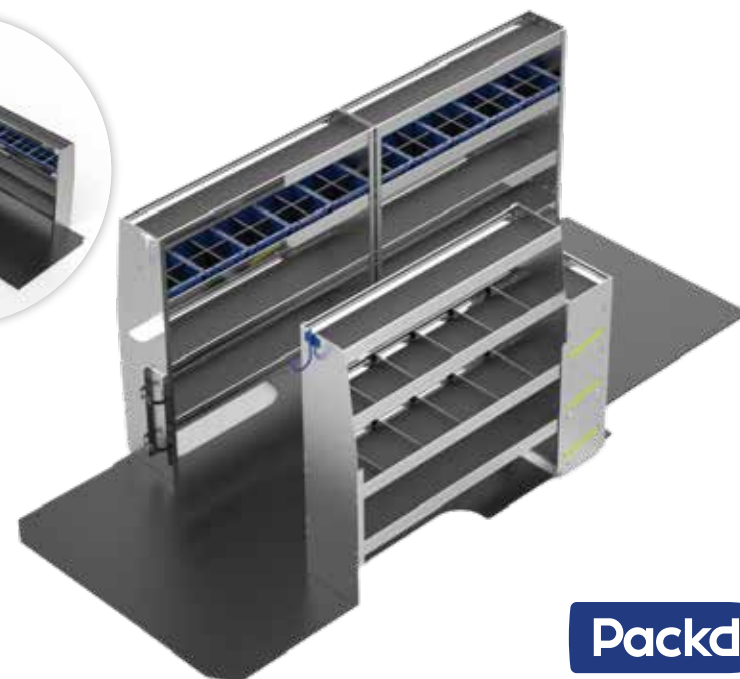
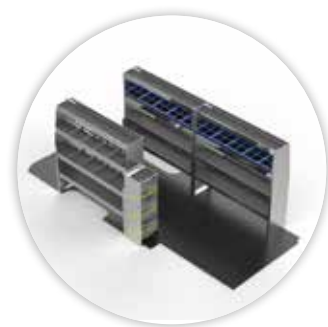
Passenger's side includes:

- (1) Aluminum 62"H x 48"L 5-shelf shelving unit
- (8) 12"D Plastic bins with center divider & cross divider
- (8) 14"D Plastic bins with center divider & cross divider
- (1) Large bottle holder
- (1) 8" swivel hook (4" opening)

Partitions And Flooring Are Not Included In Shelving Packages

Description	Part#
Plumbing Package, 144" WB	175M1PPX

HVAC Package 170" WB



Packd

Driver's side includes:

- (2) Aluminum 62"H x 60"L 4-shelf shelving units
- (10) 12"D plastic bins with center divider & cross divider
- (1) Large bottle holder
- (1) Fixed Hook

Passenger's side includes:

- (1) Aluminum 62"H x 60"L 4-shelf shelving unit
- (1) 3 level refrigerant rack
- (10) Aluminum rattle-free dividers
- (1) 8" swivel hook (4" opening)

Partitions And Flooring Are Not Included In Shelving Packages

Description	Part#
HVAC Package, 170" WB	175M4HPX

Plumbing Package 170" WB



Packd

Driver's side includes:

- (2) Aluminum 62"H x 60"L 4-shelf shelving units
- (10) Aluminum rattle-free dividers
- (1) Large bottle holder
- (1) Fixed Hook

Passenger's side includes:

- (1) Aluminum 62"H x 60"L 5-shelf shelving unit
- (10) 12"D Plastic bins with center divider & cross divider
- (10) 14"D Plastic bins with center divider & cross divider
- (1) Large bottle holder
- (1) 8" swivel hook (4" opening)

Partitions And Flooring Are Not Included In Shelving Packages

Description	Part#
Plumbing Package, 170" WB	175M4PPX

Electrical Package 144" WB

Driver's side includes:

- (1) Aluminum 62"H x 96"L 4-shelf shelving unit
- (2) 11"H x 45"L locking door cabinets
- (8) 12"D Plastic bins with center divider & cross divider
- (1) Wire reel holder
- (1) Fixed Hook

Passenger's side includes:

- (1) Aluminum 62"H x 48"L 4-shelf shelving unit
- (10) Aluminum rattle-free dividers
- (1) 8" swivel hook (4" opening)



Packd

Partitions And Flooring Are Not Included In Shelving Packages

Description	Part#
Electrical Package, 144" WB	175M1EPX

Electrical Package 170" WB

Driver's side includes:

- (2) Aluminum 62"H x 60"L 4-shelf shelving units
- (2) 11"H x 45"L locking door cabinets
- (10) 12"D Plastic bins with center divider & cross divider
- (1) Wire reel holder
- (1) Fixed Hook

Passenger's side includes:

- (1) Aluminum 62"H x 60"L 4-shelf shelving unit
- (10) Aluminum rattle-free dividers
- (1) 8" swivel hook (4" opening)



Packd

Partitions And Flooring Are Not Included In Shelving Packages

Description	Part#
Electrical Package, 170" WB	175M4EPX

Delivery Package 144" WB

Driver's side includes:

- (2) 63"H x 48"L 2-shelf units with folding shelves

Passenger's side includes:

- (1) 63"H x 48"L 2-shelf unit with folding shelves



Description	Part#
Delivery Package, 144" WB	176M1DP

Delivery Package 170" WB

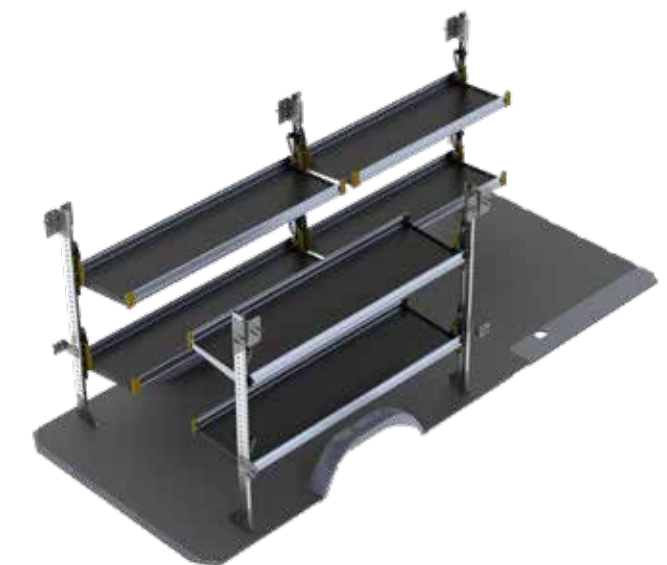
Driver's side includes:

- (1) 63"H x 58"L 2-shelf unit with folding shelves
- (1) 63"H x 72"L 2-shelf unit with folding shelves

Passenger's side includes:

- (1) 63"H x 72"L 2-shelf unit with folding shelves

- Folding shelves keep aisle clear when not in use
- Gas shock holds shelf in either up or down position - no latches or rattles
- Capacity is 250 lbs. per shelving unit
- Shelves are 20" deep



Description	Part#
Delivery Package, 170" WB	176M4DP

**DO YOU HAVE
A FLEET OF
10+ VANS?**

Contact us to learn about
our fleet upfit solutions



Organized Time Saver

Access your most common items without even entering your vehicle.

Build a drawer system that works best for you

01. Start with a **Tool Drawer** for power tools and bags
02. Add **Parts Drawers** for hand tools and components
03. Finish with a **Top Tray** and crates or a **Worktop** surface



Our 6 Step Process

Start with Interior Finishing 01	Add a Safety Partition 02	Choose your Shelving Package 03
Add time-saving Interior Accessories 04	Select your Roof Equipment 05	Finish with Exterior Accessories 06

Tool Drawer

- Aluminum
- Weight capacity: 320 lbs
- Includes 3 large dividers
- Gray powder-coated drawer face
- 17"W x 45"L x 19.5"H
- Lockable



Description	Part#
Tool Drawer	DR10

Parts Drawer

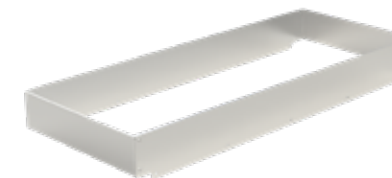
- Aluminum
- Weight capacity: 150 lbs
- Drawer has paddle latch
- Gray powder-coated drawer face
- 12.5"W x 45"L x 7.5"H
- Lockable
- Mount individually, on top of tool drawer, or on top of other parts drawers



Description	Part#
Parts Drawer	DR11

Tool Drawer Top Tray

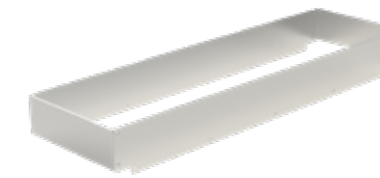
- Turn your tool drawer top into an additional storage area
- 17"W x 45"L x 4"H



Description	Part#
Top Tray for Tool Drawer	TE10

Parts Drawer Top Tray

- Turn your parts drawer top into an additional storage area
- 12.5"W x 45"L x 4"H



Description	Part#
Top Tray for Parts Drawer	TE11

Stackable Space Saving Storage

Mix and match to meet your needs



Add a Worktop to Your Drawer System

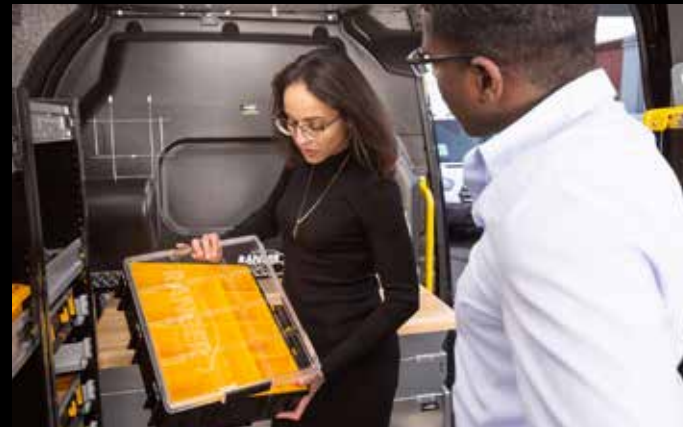
- 18"D x 48"W hardwood butcher block top
- Mounts to top of drawer system



Description	Part#
Drawer System Worktop	176XWT

Maximize your Productivity!

Bring all of your small parts in one trip



Incorporate time saving Parts Keepers into your upfit:

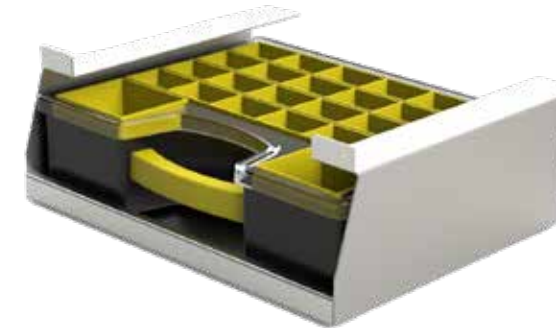
- 1) Add single Parts Keeper units onto your shelves
- 2) Mount a Parts Keeper cabinet at your side door for easy access



Be Efficient! Saving just 5 minutes per day will gain you 21 hours per year!

Single Parts Keeper

- Hangs underneath any shelf



Description	Part#
Parts Keeper Case	PK-1

4 Pc. Parts Keeper Cabinet

- 1 Shelf
- Aluminum
- 17"W x 13.5"D x 24"H



Description	Part#
4 Pc. Parts Keeper	PK-4-1

5 Pc. Parts Keeper Cabinet

- 2 Shelves
- Aluminum
- 17"W x 13.5"D x 45"H

8 Pc. Parts Keeper Cabinet

- 1 Shelf
- Aluminum
- 17"W x 13.5"D x 45"H

8 Pc. Parts Keeper Cabinet

- 2 Shelves
- Aluminum
- 17"W x 13.5"D x 62"H



Description	Part#
5 Pc. Parts Keeper	PK-5-2



Description	Part#
8 Pc. Parts Keeper	PK-8-1



Description	Part#
8 Pc. Parts Keeper with 2 Shelves	PK-8-2

2-Drawer & 3-Drawer Cabinets:

- Latching drawers with ball bearing slides
- Includes key lock for security
- Cabinets can be individually mounted to shelves or stacked on floor
- 12.5"D x 18.5"W x 10.5"H

9-Drawer Cabinet:

- Rattle-free plastic drawers with dividers
- Includes built-in drawer catch
- 12.5"D x 17"W x 12"H



“The drawers are super smooth and I couldn't be happier with them. High quality item.”

Leslie N.

Contractor Approved

2-Drawer Cabinet



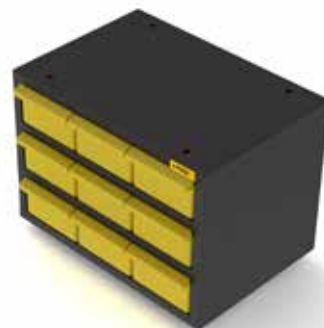
Description	Part#
2-Drawer Cabinet	876XX2DC

3-Drawer Cabinet



Description	Part#
3-Drawer Cabinet	876XX3DC

9-Drawer Cabinet



Description	Part#
9-Drawer Cabinet	876XX9DC

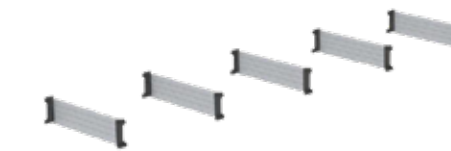
Locking Door



Description	Part#
45"W x 10"H Locking Door (5 hole spacing for 48"W shelving unit)	SD1045
45"W x 11.5"H Locking Door (6 hole spacing for 48"W shelving unit)	SD1145*
45"W x 13"H Locking Door (7 hole spacing for 48"W shelving unit)	SD1345

*Default size/shelf spacing

Dividers (Pack of 5)



Description	Part#
11" Aluminum Shelf Dividers	CDS-11
12" Aluminum Shelf Dividers	CDS-12
14" Aluminum Shelf Dividers	CDS-14

Bins



Includes a center & cross divider



Description	Part#
11"D Plastic Bin	PBS-11
12"D Plastic Bin	PBS-12
14"D Plastic Bin	PBS-14

Moveable Hooks

- Use two Large Moveable Hooks to hang ladder from shelving
- Clips to shelving lip



Description	Part#
Small Moveable Hook	AC74
Large Moveable Hook	AC73

Swivel Hook

- Powder-coated blue finish



Description	Part#
Swivel Hook	AC72

Fixed Hook



Description	Part#
Fixed Hook (3" opening)	AC70
Large Fixed Hook (4" opening)	AC71

INTERIOR ACCESSORIES

INTERIOR ACCESSORIES

Cab Organizer Box



Description	Part#
Locking Aluminum Cab Box Organizer with Raise	876MXCB

Paper Holders



Description	Part#
Aluminum 3-Slot Paper Holder	AC10
Aluminum 5-Slot Paper Holder	AC14

First-Aid Kit



Description	Part#
First-Aid Kit With Holder	864XXFA

Triangle Kit



Description	Part#
Triangle Kit	876XXTK

Hard Hat Holder



Description	Part#
Hard Hat Holder	876XXHH

Grab Handle

- High grip surface
- Increase safety and efficiency



Description	Part#
Grab Handle	876XXGH

Small Bottle Holder

- For B and MC tanks



Description	Part#
Small Bottle Holder	RS86

Large Bottle Holder

- For nitrogen tanks



Description	Part#
Large Bottle Holder	RS88

Refrigerant Rack Two Level

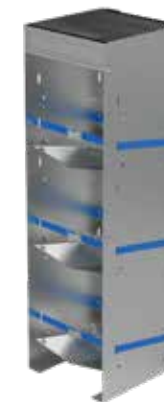
- For refrigerant tanks
- Keeps tanks vertical



Description	Part#
Two Level Adjustable Bottle Holder	RS10

Refrigerant Rack Three Level

- For 30lb & 50lb refrigerant racks
- 13"W x 45"H



Description	Part#
Large Aluminum 3 Tier Refrigerant Rack	RS-3L-1

Refrigerant Rack Four Level

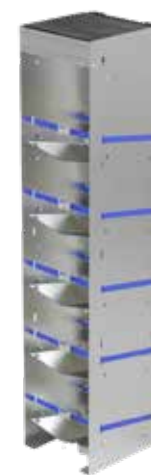
- For 30lb refrigerant tanks
- 10.5"W x 45"H



Description	Part#
Small Aluminum 4 Tier Refrigerant Rack	RS-4S

Refrigerant Rack Five Level

- For 30lb & 50lb refrigerant tanks
- 13"W x 62"H



Description	Part#
Large Aluminum 5 Tier Refrigerant Rack	RS-5L-1

INTERIOR ACCESSORIES

INTERIOR ACCESSORIES

Side Dropdown Ladder Rack

Rear Dropdown Ladder Rack

Max Rack

- All aluminum construction
- Removable rotation bar included

Single Side Drop Down



Double Side Drop Down



Description	Sprinter without OEM roof track	Sprinter with OEM roof track
Single Side MaxRack, holds (1) extension ladder (up to 32'L) or 10' stepladder	376MXSR	376MXSR
Double Side MaxRack, holds (2) extension ladders (up to 32'L) or 10' stepladders	376MXDR	376MXDRO
Double Side MaxRack with 3rd Crossbar, holds (1) extension ladder (up to 32'L) and (1) 8' Stepladder	376MXDR3	376MXDRO3
Optional Crossbow End Stops (add to Single Side MaxRack for additional roof storage capacity on Driver's Side)	376XXCES	376XXCES

Ergo Rack

- Aluminum and steel construction
- Removable rotation bar included

Single-Side Drop Down

Double-Side Drop Down



Description	Sprinter without OEM roof track	Sprinter with OEM roof track
Single Side ErgoRack, holds (1) extension ladder (up to 36'L) or 10' stepladder	374MXSR	374MXSRO
Double Side ErgoRack, holds (2) extension ladders (up to 36'L) or 10' stepladders	374MXDR	374MXDRO
Double Side ErgoRack with 3rd Crossbar, holds (1) extension ladder (up to 36'L) and (1) Stepladder (6' - 8'L)	374MXDR3	374MXDRO3

Access Stow

- Rust-free aluminum and stainless construction
- Fast, easy operation
- Ergonomic and safe rear deployment
- Works for extension ladders up to 32' or step ladders up to 10'

Description	Single Ladder Part#	Double Ladder Part#
Access Stow with Roof Mounting Rail	376MXSS	376MXDS
Access Stow without Roof Mounting Rails (For Sprinters with OEM rails)	376MXSSO	376MXDSO



Double Access Stow

Single Access Stow



Double Access Stow



Single Access Stow



Our 6 Step Process

Start with Interior Finishing 01

Add Safety and Security 02

Choose your Shelving Package 03

Add time-saving Interior Accessories 04

Select your Roof Equipment 05

Finish with Exterior Accessories 06

Roof Decks

- Heavy duty anodized aluminum construction
- Aerodynamically designed
- Includes rear roller
- Optional ratchet tie downs to secure any type of load



Model	Part#
144" LR	376M1RD
144" HR	376M2RD
170"/170" HR Ext	376M4RD

Ratchet tie downs available for roof deck, see page 29



Cargo Racks

- Rust-free aluminum construction
- Includes ladder stops & straps
- Optional rear roller to aid in loading and protect brake lights

Model	Low Roof Part#	High Roof Part#
2 Bar Rack	395M12B	395M22B
3 Bar Rack	395M13B	395M23B
Rear Roller	395M1RR	395M2RR

NOTE:
Roof Rails required for Sprinters that don't have factory roof rails

Roof Rails Description	Part#
144" WB Roof Rails	774M1RR
170" WB Roof Rails	774M4RR
170" Ext WB Roof Rails	774M6RR



*optional rear roller bar



Access Ladders



Bolt-on

- Heavy duty extruded aluminum
- Contoured to fit Sprinter
- White bolt-on ladder recommended for cargo racks
- Anodized clamp-on ladder recommended for roof decks



Clamp-on

Model	Low Roof Part#	High Roof Part#
Bolt-on	795X1ALW	795X2ALW
Clamp-on	774MXALL	774MXALH

Conduit Carrier

- 5" square rigid one piece design
- White powder-coated aluminum with black end caps
- Inside length of 10' 8"
- Lockable
- Add to any ladder rack



Description	Part#
Conduit Carrier	774XXCT

Ratchet Tie-Downs

- Recommended two per side
- Safely secure any type of load



Model	Part#
Set of 2 for Roof Decks	376XXRTD
Set of 2 for Cargo Racks	795XXRTH1S

Grip Step Running Boards

- 7" wide stepping surface
- Black powder coat aluminum
- Open tread design for maximum grip
- 98" passenger's board and 36" drivers board



Description	Part#
Running Boards (Driver's side and passenger's side set)	760MXRB

Grip Step Rear Step

- Black powder-coated aluminum
- 7" wide stepping surface
- High traction open tread design

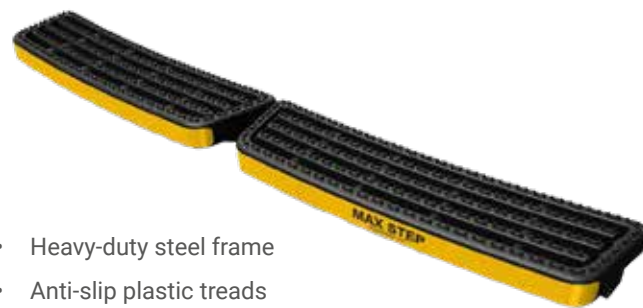


Description	Part#
Grip Step Rear Step	760MXBAS

* Rear steps not compatible with a hitch

Max Step Rear Step

- Heavy-duty steel frame
- Anti-slip plastic treads
- Reflective strip



Description	Part#
Max Rear Step	776MXBAS

* Rear steps not compatible with a hitch

Tow Hitches

- Class III (2 inch receiver)
- 600 lb tongue weight, 6000 lb trailer weight on standard bumper models
- 500 lb tongue weight, 5000 lb trailer weight on step bumper models
- If your van has the factory 7-way wiring plug, part #706XXCMB must be added



Digital Brake Controller

Description	Part#
Hitch for 144" WB 2500 & All 170" WB with Standard Bumper	706M4HNB
Hitch for 144" WB 2500 & All 170" WB with Step Bumper	706M4HSB
Hitch for 144" WB 3500 with Step Bumper	706M3HSB
Digital Brake Controller	506MXTBC
Mounting bracket for OEM wiring plug	706XXCMB

Windows

- OEM fit
- Light smoke tint



Description	Part#
Rear Doors (Set of 2 Windows)	743MXRW
Driver's Side Forward	743MXDSFW
Sliding Door	743MXSDW
Porthole	732XXPW

* Fits 2019+ vans only



EXTERIOR ACCESSORIES

EXTERIOR ACCESSORIES

HVAC Tie-In System

- Engine-driven system designed for generally moderate climates
 - Achieve an indoor temperature approximate 12-15 degrees below the maximum outside temperature
 - Adds a high-capacity evaporator in the cargo area
 - Ties in to vehicle's existing OEM compressor and condenser
 - Connects into vehicle's existing coolant lines for heat function
- Application Example:**
- Art Transport
 - Mobile Showrooms



NOTE.
Products shown on this page are not available for onsite install

Description	Part#
Tie-In HVAC System	997XXTI

HVAC Extreme Climate System

- Engine-driven system designed for the most demanding HVAC requirements
 - Achieve an indoor temperature of up to 30 degrees below the maximum outdoor temperature
 - Adds a high-capacity evaporator in the cargo area
 - Adds a powerful auxiliary compressor in the engine compartment
 - Adds an additional condenser (either rooftop mount or underbody options)
 - Connects into vehicle's existing coolant lines for heat function
- Application Example:**
- Animal Transport
 - Mobile Labs



Description	Part#
HVAC Extreme Climate System	Call for details

Fuel-fired Heaters

- High-performance combustion heater for safe, reliable heat
 - Powered through the vehicles existing fuel tank
 - Gas and diesel options
 - Pair with our auxiliary battery/charging system for vehicle-off operation
 - Compact design mounts almost anywhere on the floor
 - Uses as little as 1 gallon of fuel per 22 hour period
 - Up to 7,000 BTU/h heat output
- Application Example:**
- Carpet Cleaners
 - Mobile Pressure-Washers



Description	Part#
Fuel-Fired Heater, gas engines, with Standard Controller	997XXGSC
Fuel-Fired Heater, gas engines, with Programmable Controller	997XXPSC
Fuel-Fired Heater, diesel engines, with Standard Controller	997XXDSC
Fuel-Fired Heater, diesel engines, with Programmable Controller	997XXPSC

Compact Power Inverters

- Pure Sine Wave – safe for electronics and lithium-ion chargers
- 1,200W - 2,000W options
- Perfect for occasional and light/medium loads
- Runs most basic hand tools, chargers, and small appliances
- Single GFCI outlet built into unit



NOTE.
Products shown on this page are not available for onsite install

Description	Part#
1,200W Pure Sine Wave Inverter with cabling & fuse	596XX1.2PI
Bluetooth Adaptor for 1,200W Inverter	596XXBD
Remote Switch for 1,200W Inverter	596XXRS
2,000W Pure Sine Wave Inverter with cabling & fuse	503XX2PI-HF
Remote Switch for 2,000W Inverter	503XXRS

Heavy Duty Power Inverter/Charger Systems

- Designed for daily use in industrial applications
- 3,000W - 10,000W options
- Perfect for utilities, mobile workstations, and high-surge loads
- Hardwire only - configure with multiple outlets and shore power charging
- Bluetooth-enabled plus remote monitoring options



*110V outlets and shore power inlet not included – call to configure

Description	Part#
3000W Pure Sine Wave Inverter/Charger* with cabling & fuse	596XX3PI
5000W Pure Sine Wave Inverter/Charger* with cabling & fuse	596XX5PI
Digital Remote Control Panel	596XXRC

Auxiliary Batteries

- Enables inverter operation with vehicle off
- Provides reserve power for high-surge loads
- 100AH-460AH battery bank options
- Isolated from OEM battery for reliable starts
- Automatically charged via vehicle alternator or optional shore power



Description	Part#
100AH AGM Deep-Cycle Battery with Isolator and Battery Box	503XX1AB-B
200AH AGM Deep-Cycle Battery with Isolator and Battery Box	503XX2AB-B
Battery Monitor – Bluetooth enabled	596XXBMS

Cantilever Series

- Most popular model
- 1300lb capacity
- Folds to allow rear door access while stowed
- 53"W x 60"L Load Area
- Built in cart stops



NOTE.
Products shown on this page are not available for onsite install

Description	Part#
All Sprinters (Except 3500/4500 144" WB)	989MXCS
3500/4500 144" Sprinter Only	989M2CS*

* Available on special order only

V2 Series

- 1100lb capacity
- Stores inside van
- 47"W x 49"L Load Area
- Built in cart stops



Description	Part#
All Sprinters (Except 3500/4500 144" WB)	989MXV2*
3500/4500 144" Sprinter Only	989M2V2*

* Available on special order only

Don't see what you're looking for?

Contact us to design a custom build, we love a challenge!



Mobile Laboratory

Challenge: A manufacturer was looking to perform climate controlled hydraulic tool calibration onsite for their customers.



Incident Command

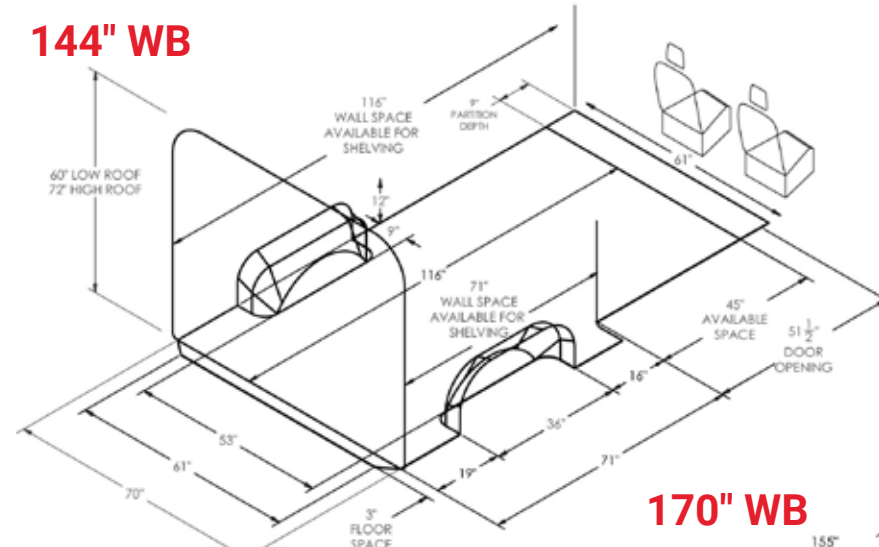
Challenge: A regional OEM was looking to manage agency communications and radio distribution at major emergency scenes.



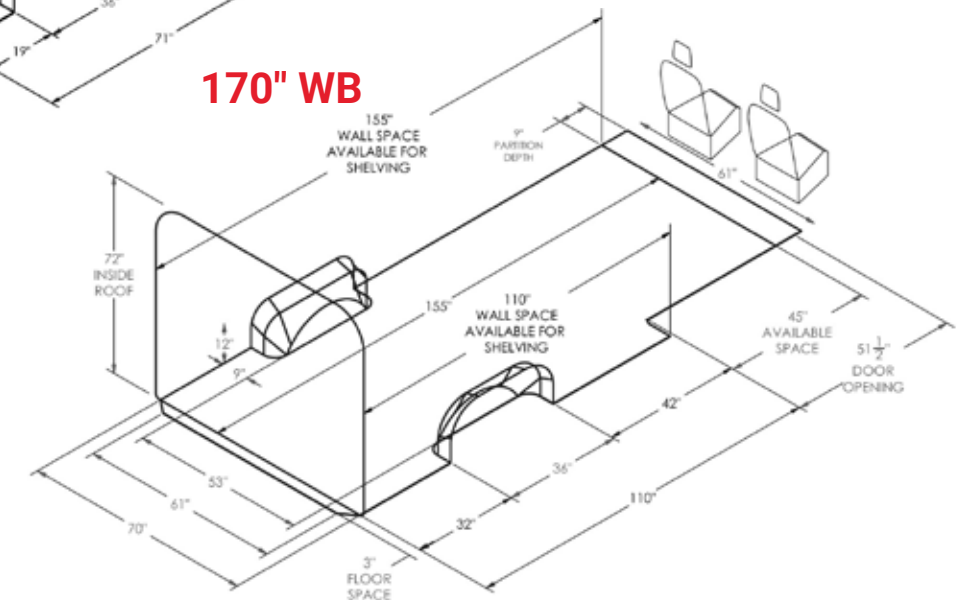
Mobile Showroom

Challenge: A luxury stone & tile distributor was looking to grow their business by bringing their showroom to their clients.

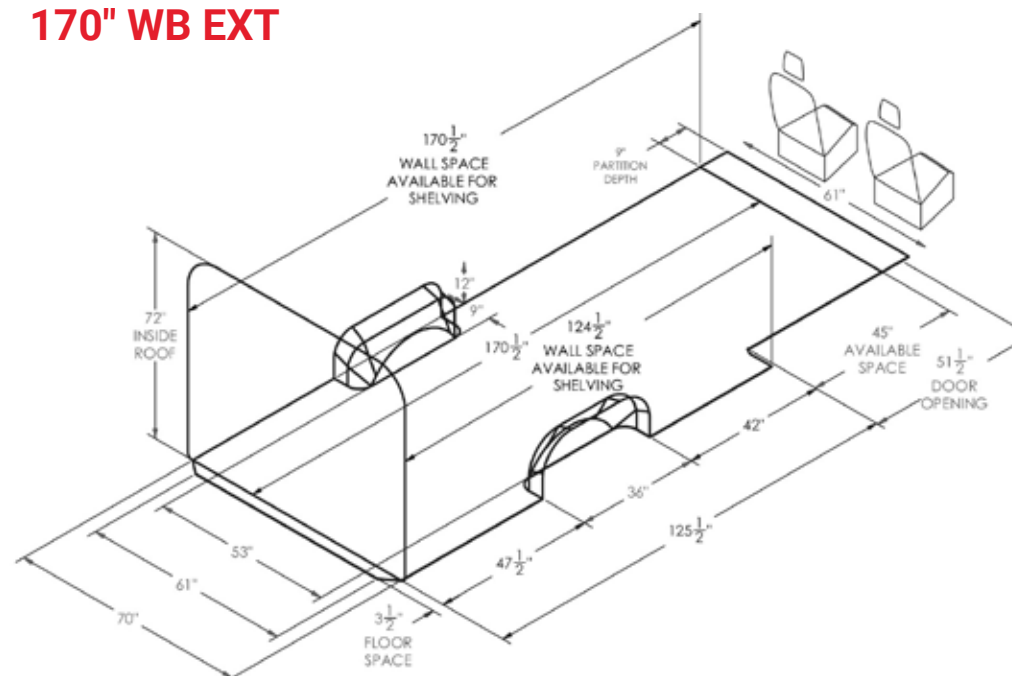
144" WB



170" WB



170" WB EXT



7500+

Vans Upfitted Per Year

Your Sprinter Customizing Starts Here.

Let Advantage Outfitters make your van work ready!

95% Stock Orders Completed in 48 Hours or Less



Serving the tri-state region

New York · New Jersey · Connecticut · Pennsylvania

Contact Your Mercedes Dealer



WEST
255 West Street
South Hackensack,
NJ 07606

EAST
107 E. Hawthorne Ave.
Valley Stream,
NY 11580

sales@advantageoutfitters.com

866.925.4844

advantageoutfitters.com